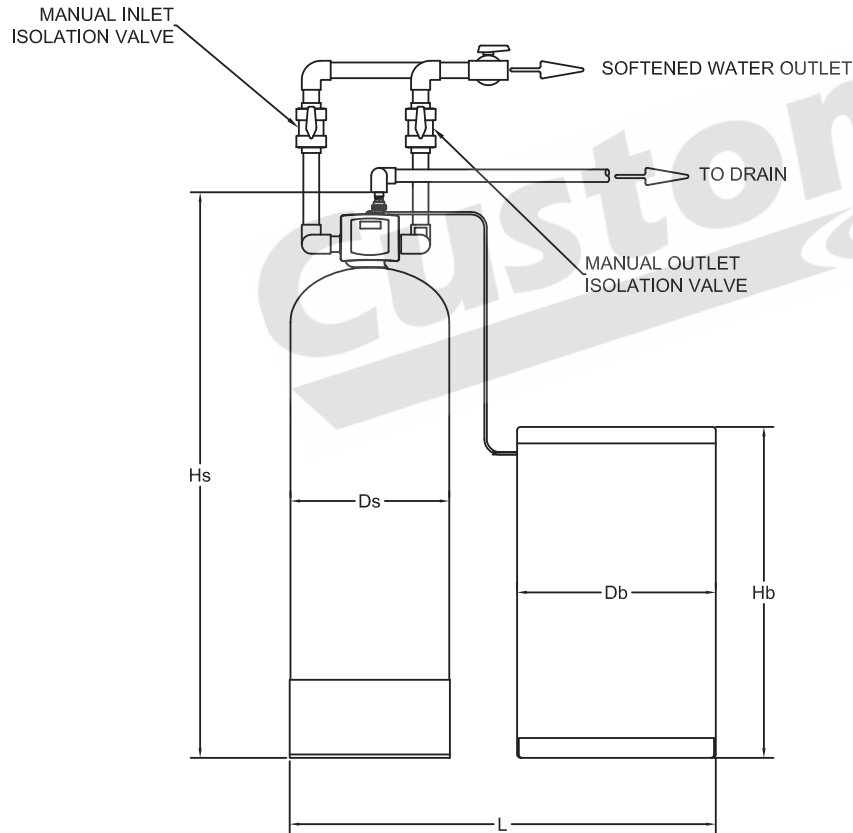


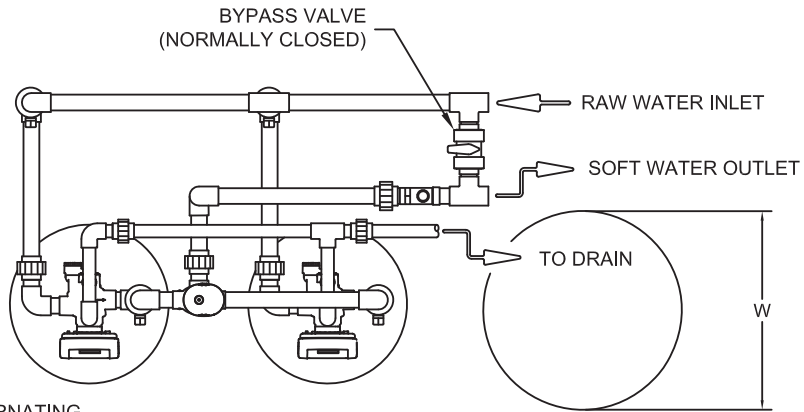
MODEL NO.	L	W	Ds	Hs	Db	Hb
C43-0060-15	36	18	12	61	18	40
C43-0090-15	38	18	14	74	18	40
C43-0120-15	46	24	16	74	24	41
C43-0150-15	48	24	18	76	24	50
C43-0180-15	51	24	21	76	24	50
C43-0210-15	51	24	21	76	24	50
C43-0240-15	54	24	24	83	24	50
C43-0270-15	54	24	24	83	24	50
C43-0300-15	60	30	24	83	30	50
C43-0450-15	66	30	30	99	30	50



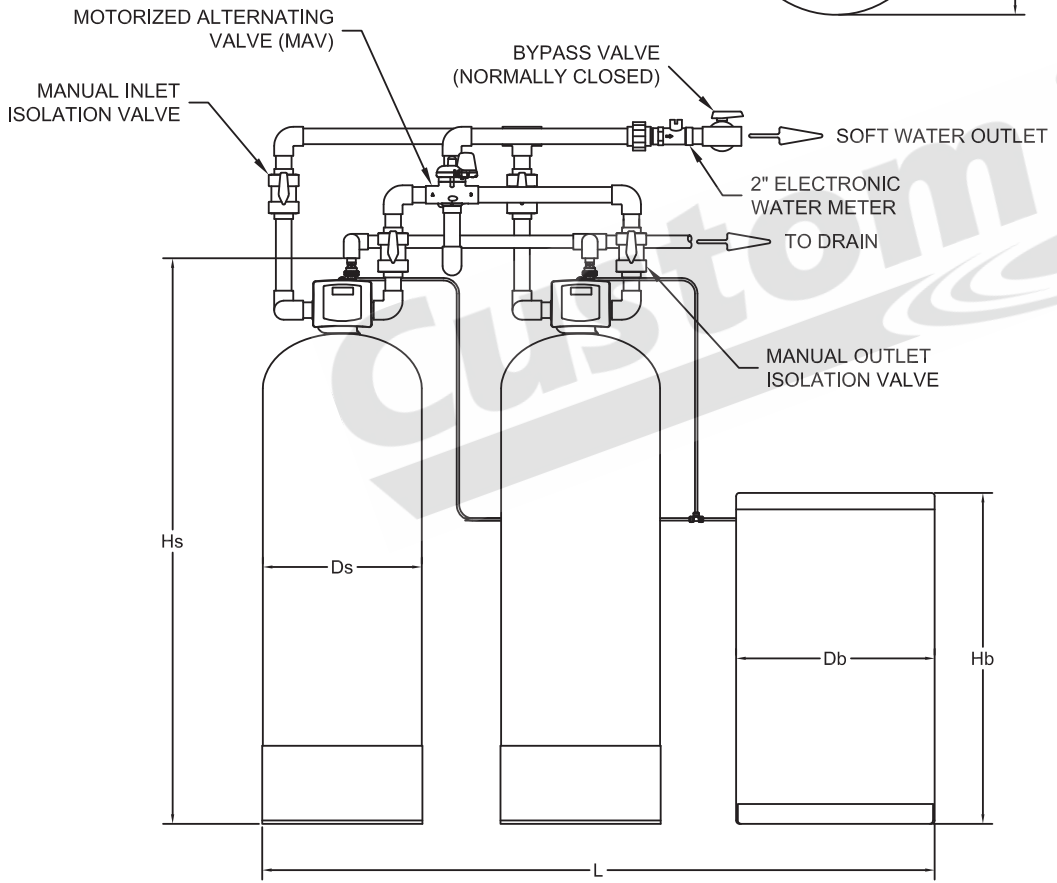
NOTES:

- 1) VALVE INLET AND OUTLET CONNECTIONS ARE 1-1/2" NPTF.
- 2) VALVE DRAIN CONNECTION IS 1-1/4" NPTF.
- 3) PIPE AND FITTINGS ARE NOT FURNISHED.
- 4) IT IS RECOMMENDED THAT FLEXIBLE CONNECTORS BE INSTALLED BETWEEN HARD PIPING AND VALVE INLET AND OUTLET CONNECTIONS.
- 5) THE TANK MANUFACTURER RESERVES THE RIGHT TO INVALIDATE THE TANK WARRANTY IF FLEXIBLE CONNECTORS ARE NOT INSTALLED PER NOTE 4.

SCALE	NTS	LAYOUT DRAWING C43 SERIES - 1-1/2" SINGLE	
DATE	05-01-15		
DRAWN	GAMatusin	DRAWING NO. C43 1-1/2" SINGLE	REV. 0
CHKD	GAM		
APPD.	GAM		
SHEET 1 OF 1			

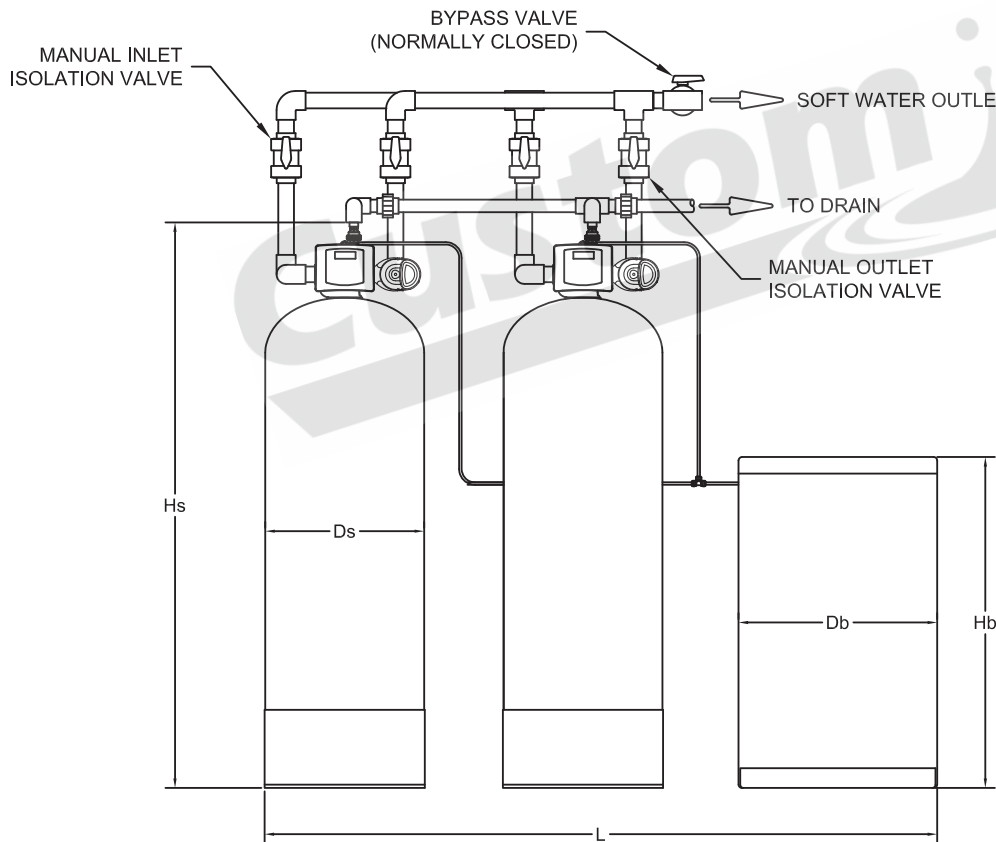
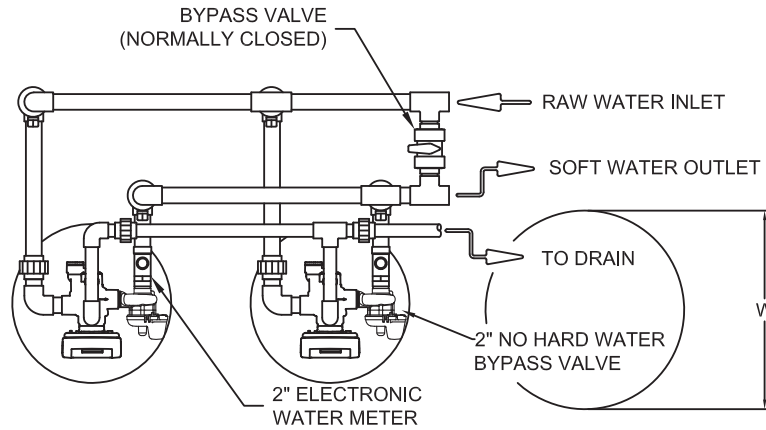


MODEL NO.	L	W	Ds	Hs	Db	Hb
C43-0060-15	51	18	12	61	18	40
C43-0090-15	55	18	14	74	18	40
C43-0120-15	65	24	16	74	24	41
C43-0150-15	69	24	18	76	24	50
C43-0180-15	75	24	21	76	24	50
C43-0210-15	75	24	21	76	24	50
C43-0240-15	81	24	24	83	24	50
C43-0270-15	81	24	24	83	24	50
C43-0300-15	90	30	24	83	30	50
C43-0450-15	99	30	30	99	30	50



- NOTES:
- 1) VALVE INLET AND OUTLET CONNECTIONS ARE 1-1/2" NPTF.
  - 2) VALVE DRAIN CONNECTION IS 1-1/4" NPTF.
  - 3) PIPE AND FITTINGS ARE NOT FURNISHED.
  - 4) IT IS RECOMMENDED THAT FLEXIBLE CONNECTORS BE INSTALLED BETWEEN HARD PIPING AND VALVE INLET AND OUTLET CONNECTIONS.
  - 5) THE TANK MANUFACTURER RESERVES THE RIGHT TO INVALIDATE THE TANK WARRANTY IF FLEXIBLE CONNECTORS ARE NOT INSTALLED PER NOTE 4.


SCALE	NTS	LAYOUT DRAWING	
DATE	05-08-15	C43 SERIES - 1-1/2" DUPLEX ALTERNATING	
DRAWN	GAMatusin		
CHKD	GAM		
APPD.	GAM	DRAWING NO.	C43 1-1/2" DUPLEX ALTERNATING
		SHEET	1 OF 1
		REV.	



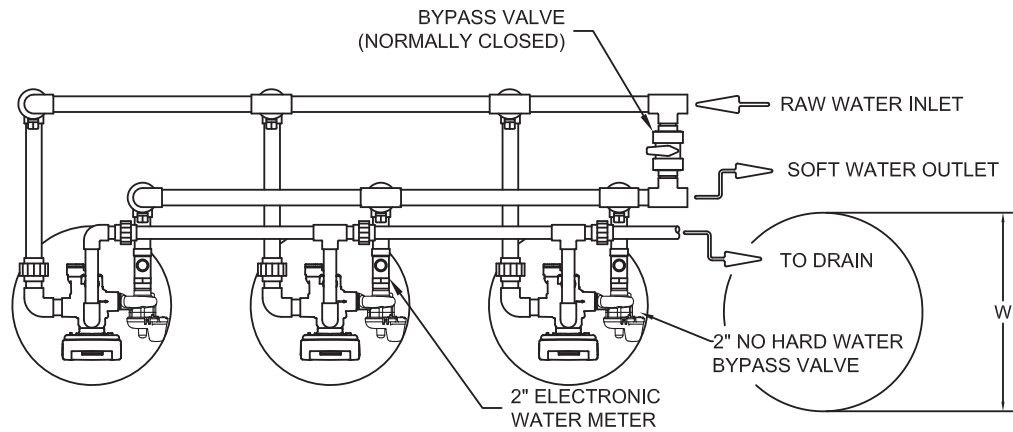
MODEL NO.	L	W	Ds	Hs	Db	Hb
C43-0060-15	51	18	12	61	18	40
C43-0090-15	55	18	14	74	18	40
C43-0120-15	65	24	16	74	24	41
C43-0150-15	69	24	18	76	24	50
C43-0180-15	75	24	21	76	24	50
C43-0210-15	75	24	21	76	24	50
C43-0240-15	81	24	24	83	24	50
C43-0270-15	81	24	24	83	24	50
C43-0300-15	90	30	24	83	30	50
C43-0450-15	99	30	30	99	30	50

**NOTES:**

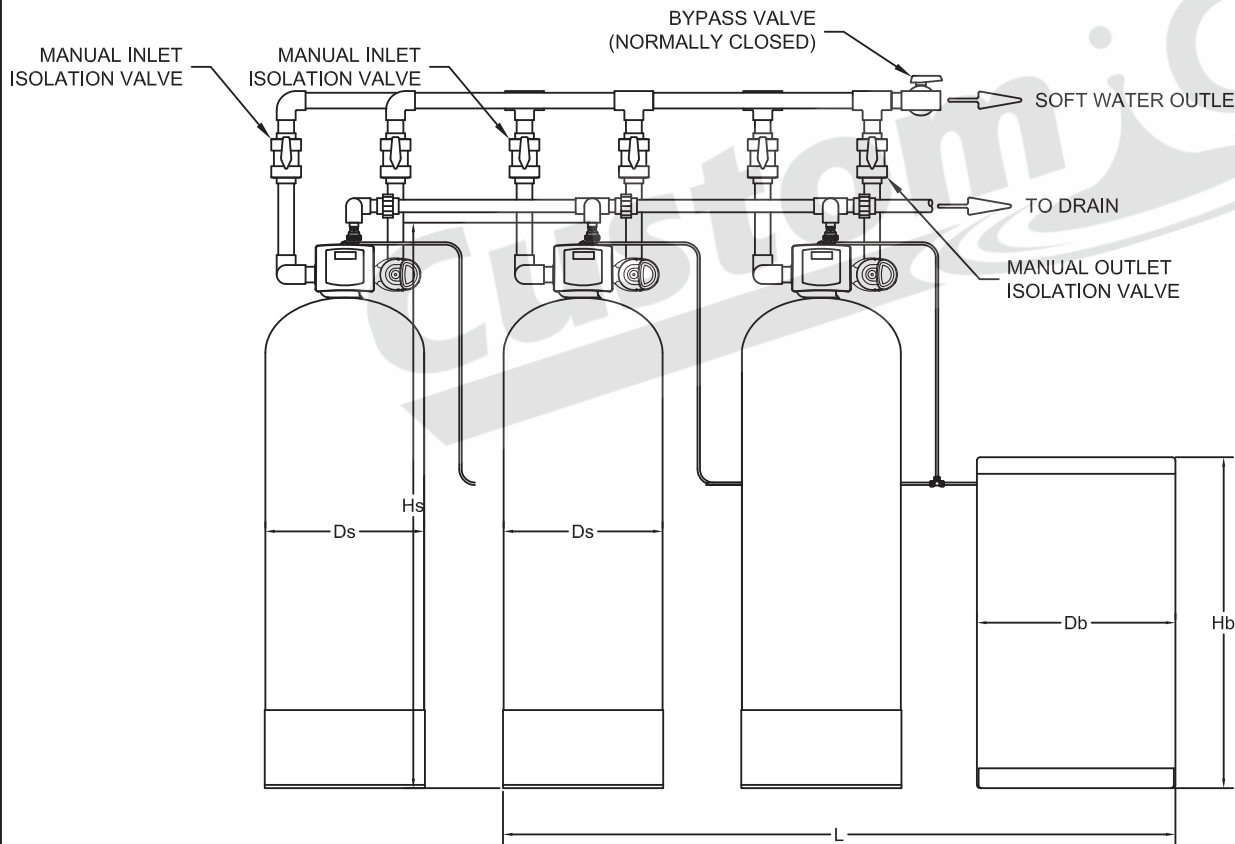
- 1) VALVE INLET AND OUTLET CONNECTIONS ARE 1-1/2" NPTF.
- 2) VALVE DRAIN CONNECTION IS 1-1/4" NPTF.
- 3) PIPE AND FITTINGS ARE NOT FURNISHED.
- 4) IT IS RECOMMENDED THAT FLEXIBLE CONNECTORS BE INSTALLED BETWEEN HARD PIPING AND VALVE INLET AND OUTLET CONNECTIONS.
- 5) THE TANK MANUFACTURER RESERVES THE RIGHT TO INVALIDATE THE TANK WARRANTY IF FLEXIBLE CONNECTORS ARE NOT INSTALLED PER NOTE 4.

SCALE	NTS	LAYOUT DRAWING	
DATE	05-08-15	C43 SERIES - 1-1/2" DUPLEX DEMAND RECALL	
DRAWN	GAMatusin		
CHKD	GAM		
APPD.	GAM	DRAWING NO.	C43 1-1/2" DUPLEX DEMAND RECALL
		SHEET	1 OF 1






MODEL NO.	L	W	Ds	Hs	Db	Hb
C43-0060-15	66	18	12	61	18	40
C43-0090-15	72	18	14	74	18	40
C43-0120-15	84	24	16	74	24	41
C43-0150-15	90	24	18	76	24	50
C43-0180-15	99	24	21	76	24	50
C43-0210-15	99	24	21	76	24	50
C43-0240-15	108	24	24	83	24	50
C43-0270-15	108	24	24	83	24	50
C43-0300-15	108	30	24	83	30	50
C43-0450-15	132	30	30	99	30	50



NOTES:

- 1) VALVE INLET AND OUTLET CONNECTIONS ARE 1-1/2" NPTF.
- 2) VALVE DRAIN CONNECTION IS 1-1/4" NPTF.
- 3) PIPE AND FITTINGS ARE NOT FURNISHED.
- 4) IT IS RECOMMENDED THAT FLEXIBLE CONNECTORS BE INSTALLED BETWEEN HARD PIPING AND VALVE INLET AND OUTLET CONNECTIONS.
- 5) THE TANK MANUFACTURER RESERVES THE RIGHT TO INVALIDATE THE TANK WARRANTY IF FLEXIBLE CONNECTORS ARE NOT INSTALLED PER NOTE 4.
- 6) SYSTEM CONTROLLER IS NOT SHOWN.

SCALE	NTS	LAYOUT DRAWING	
DATE	05-08-15	C43 SERIES - 1-1/2" TRIPLE DEMAND RECALL	
DRAWN	GAMatusin		
CHKD	GAM		
APPD.	GAM	DRAWING NO.	C43 1-1/2" TRIPLE DEMAND RECALL
		SHEET	1 OF 1

