

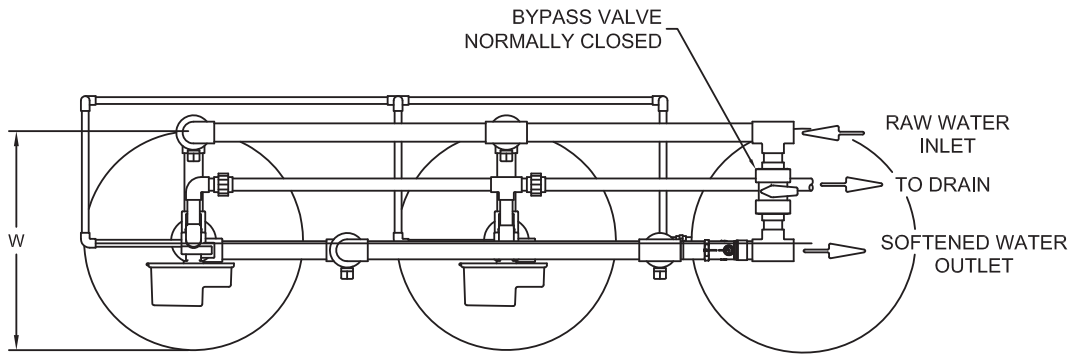


MODEL NO.	L	W	Ds	Hs	Db	Hb
C42-0240-30	54	24	24	90	24	50
C42-0270-30	54	24	24	90	24	50
C42-0300-30	54	30	24	90	30	50
C42-0450-30	66	30	30	101	30	50
C42-0600-30	81	39	36	105	39	48
C42-0750-30	87	42	42	110	39	60
C42-0900-30	90	42	42	110	42	60
C42-1050-30	104	50	48	107	50	60
C42-1200-30	104	50	48	107	50	60

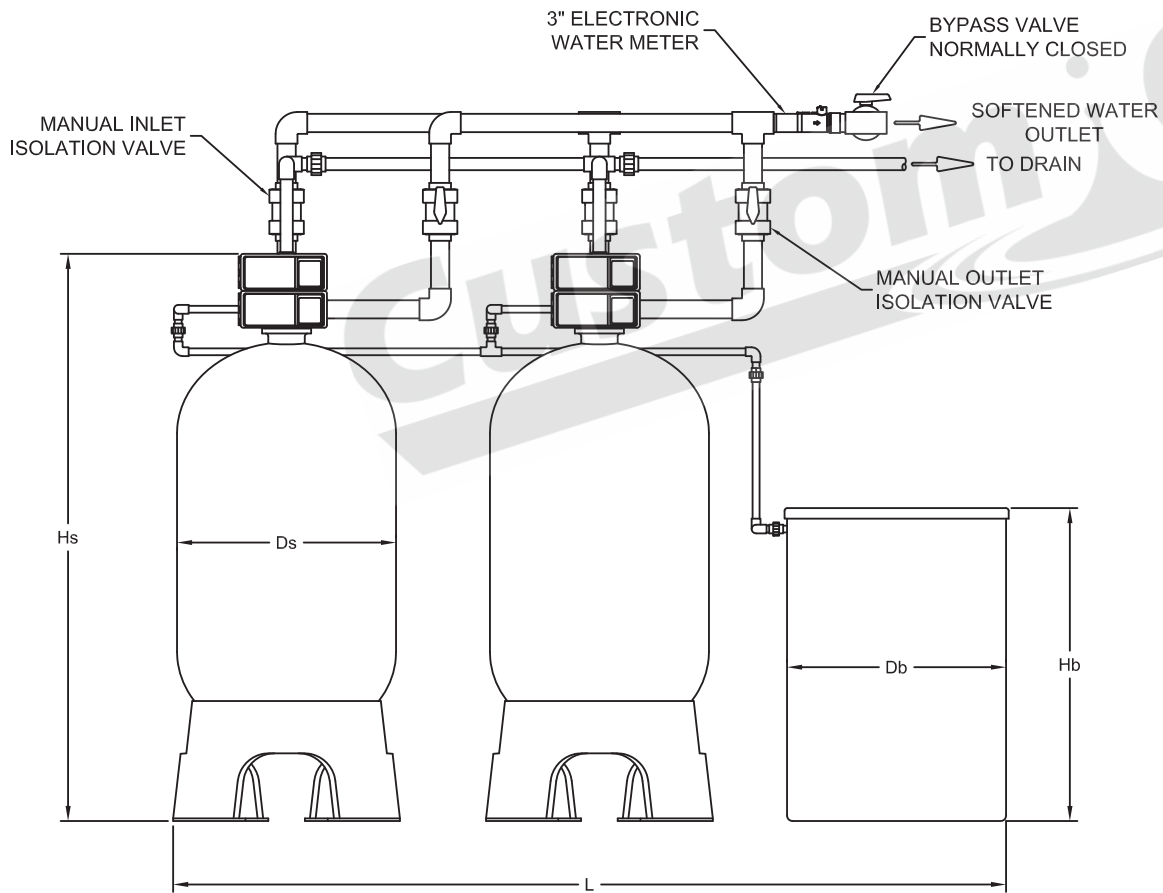
NOTES:

- 1) VALVE INLET AND OUTLET CONNECTIONS ARE 3" NPTF.
- 2) VALVE DRAIN CONNECTION IS 2" NPTF.
- 3) PIPE AND FITTINGS ARE NOT FURNISHED.
- 4) IT IS RECOMMENDED THAT FLEXIBLE CONNECTORS BE INSTALLED BETWEEN HARD PIPING AND VALVE INLET AND OUTLET CONNECTIONS.
- 5) THE TANK MANUFACTURER RESERVES THE RIGHT TO INVALIDATE THE TANK WARRANTY IF FLEXIBLE CONNECTORS ARE NOT INSTALLED PER NOTE 4.

SCALE	NTS	LAYOUT DRAWING SINGLE - 3900	
DATE	03-04-15		
DRAWN	GAMatusin		
CHK'D	GAM	DRAWING NO.	C42 3" SINGLE
APP'D.	GAM	SHEET 1 OF 1	REV. 




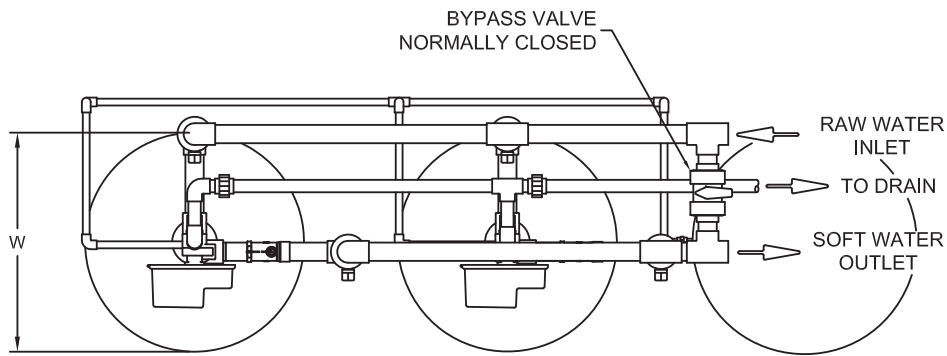
MODEL NO.	L	W	Ds	Hs	Db	Hb
C42-0240-30	81	24	24	90	24	50
C42-0270-30	81	24	24	90	24	50
C42-0300-30	81	30	24	90	30	50
C42-0450-30	99	30	30	101	30	50
C42-0600-30	120	39	36	105	39	48
C42-0750-30	132	42	42	110	39	60
C42-0900-30	135	42	42	110	42	60
C42-1050-30	155	50	48	107	50	60
C42-1200-30	155	50	48	107	50	60



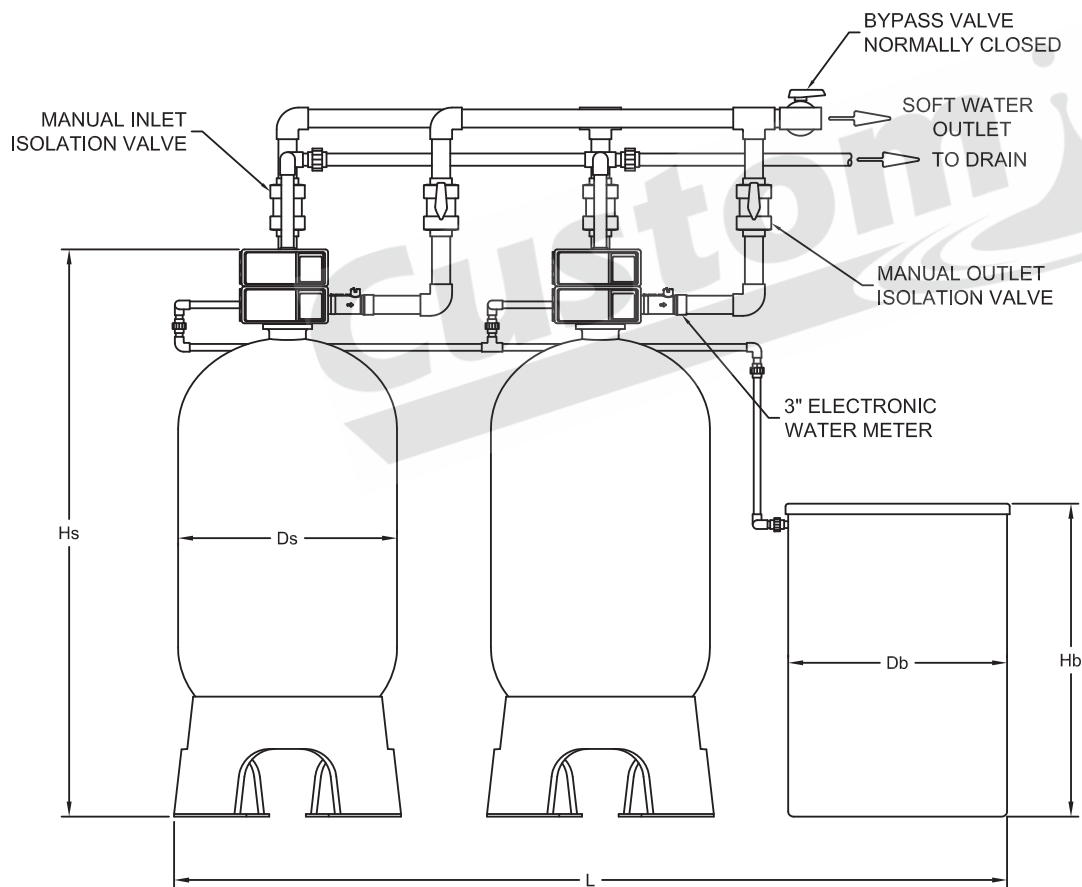
NOTES:

- 1) VALVE INLET AND OUTLET CONNECTIONS ARE 3" NPTF.
- 2) VALVE DRAIN CONNECTION IS 2" NPTF.
- 3) PIPE AND FITTINGS ARE NOT FURNISHED.
- 4) IT IS RECOMMENDED THAT FLEXIBLE CONNECTORS BE INSTALLED BETWEEN HARD PIPING AND VALVE INLET AND OUTLET CONNECTIONS.
- 5) THE TANK MANUFACTURER RESERVES THE RIGHT TO INVALIDATE THE TANK WARRANTY IF FLEXIBLE CONNECTORS ARE NOT INSTALLED PER NOTE 4.

SCALE	NTS	LAYOUT DRAWING DUPLEX ALTERNATING - 3900	
DATE	03-04-15		
DRAWN	GAMatusin		
CHK'D	GAM	DRAWING NO.	C42 3" DUPLEX ALTERNATING
APP'D.	GAM	SHEET	1 OF 1
			REV. 0




MODEL NO.	L	W	Ds	Hs	Db	Hb
C42-0240-30	81	24	24	90	24	50
C42-0270-30	81	24	24	90	24	50
C42-0300-30	81	30	24	90	30	50
C42-0450-30	99	30	30	101	30	50
C42-0600-30	120	39	36	105	39	48
C42-0750-30	132	42	42	110	39	60
C42-0900-30	135	42	42	110	42	60
C42-1050-30	155	50	48	107	50	60
C42-1200-30	155	50	48	107	50	60

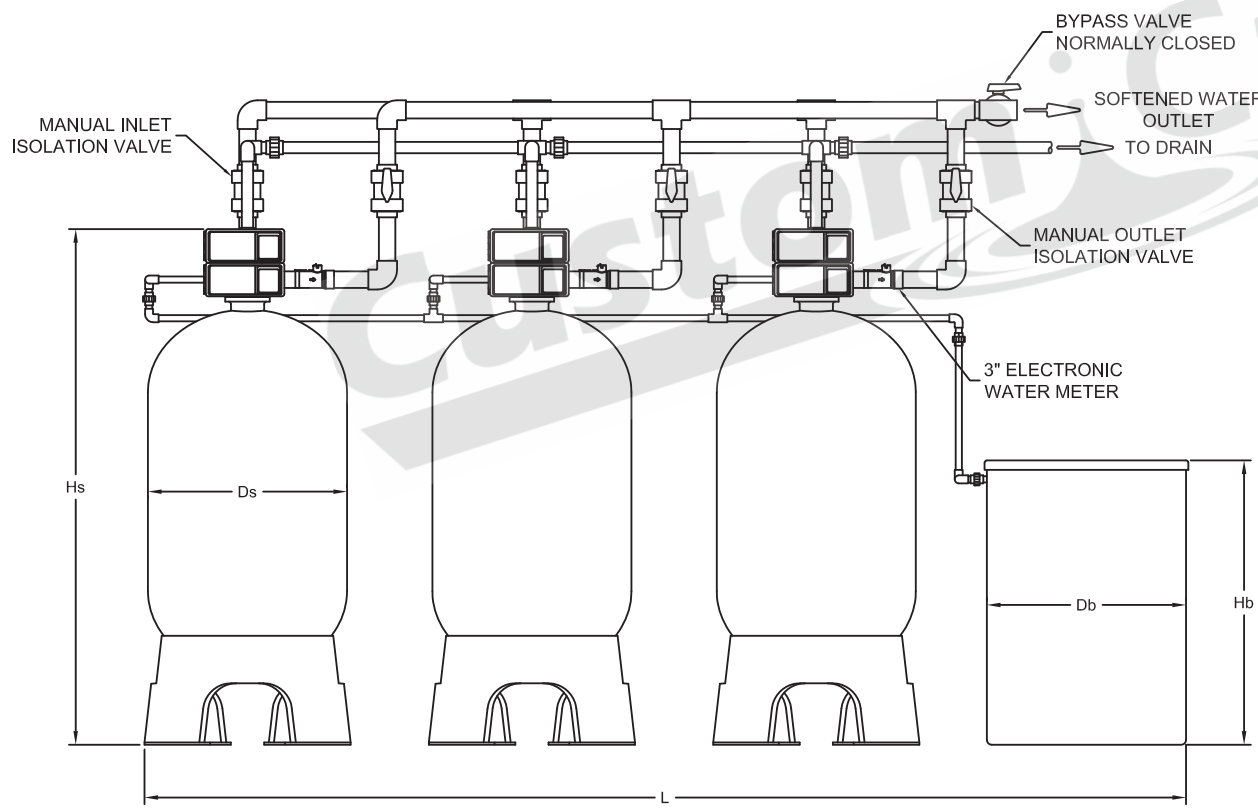
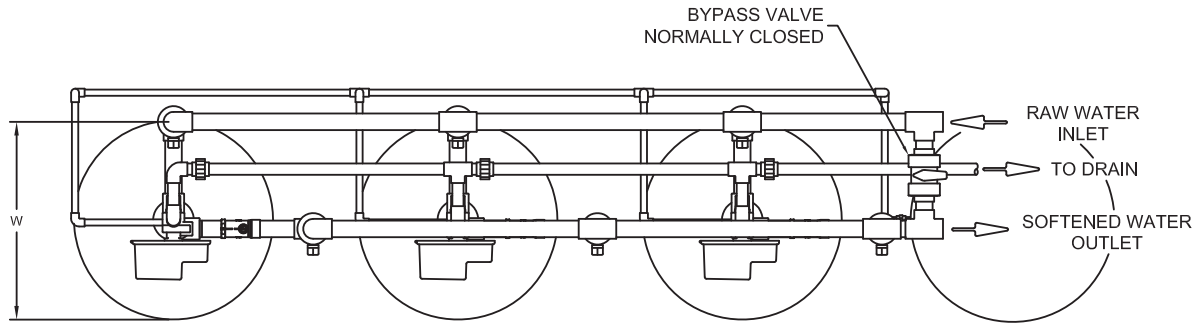


NOTES:

- 1) VALVE INLET AND OUTLET CONNECTIONS ARE 3" NPTF.
- 2) VALVE DRAIN CONNECTION IS 2" NPTF.
- 3) PIPE AND FITTINGS ARE NOT FURNISHED.
- 4) IT IS RECOMMENDED THAT FLEXIBLE CONNECTORS BE INSTALLED BETWEEN HARD PIPING AND VALVE INLET AND OUTLET CONNECTIONS.
- 5) THE TANK MANUFACTURER RESERVES THE RIGHT TO INVALIDATE THE TANK WARRANTY IF FLEXIBLE CONNECTORS ARE NOT INSTALLED PER NOTE 4.

SCALE	NTS	LAYOUT DRAWING	
DATE	03-03-15	DUPLEX DEMAND RECALL - 3900	
DRAWN	GAMatusin		
CHK'D	GAM		
APP'D.	GAM	DRAWING NO.	REV.
		C42 3" DUPLEX DEMAND RECALL	0
		SHEET 1 OF 1	

MODEL NO.	L	W	Ds	Hs	Db	Hb
C42-0240-30	108	24	24	90	24	50
C42-0270-30	108	24	24	90	24	50
C42-0300-30	108	30	24	90	30	50
C42-0450-30	132	30	30	101	30	50
C42-0600-30	159	39	36	105	39	48
C42-0750-30	177	42	42	110	39	60
C42-0900-30	180	42	42	110	42	60
C42-1050-30	206	50	48	107	50	60
C42-1200-30	206	50	48	107	50	60



- NOTES:
- 1) VALVE INLET AND OUTLET CONNECTIONS ARE 3" NPTF.
 - 2) VALVE DRAIN CONNECTION IS 2" NPTF.
 - 3) PIPE AND FITTINGS ARE NOT FURNISHED.
 - 4) IT IS RECOMMENDED THAT FLEXIBLE CONNECTORS BE INSTALLED BETWEEN HARD PIPING AND VALVE INLET AND OUTLET CONNECTIONS.
 - 5) THE TANK MANUFACTURER RESERVES THE RIGHT TO INVALIDATE THE TANK WARRANTY IF FLEXIBLE CONNECTORS ARE NOT INSTALLED PER NOTE 4.

SCALE	NTS	LAYOUT DRAWING	
DATE	03-03-15	TRIPLE DEMAND RECALL - 3900	
DRAWN	GAMatusin		
CHK'D	GAM		
APP'D.	GAM	DRAWING NO.	C42 3" TRIPLE DEMAND RECALL
		SHEET	1 OF 1
		REV.	